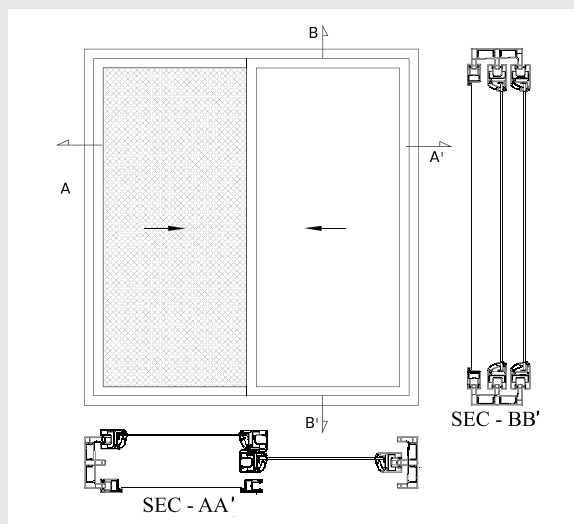


I-64 3 Track Sliding Window



Providing and fixing sliding windows, fabricated from Unplasticised Polyvinyl Chloride (uPVC) sections with brand name NCL Buildtek

Profiles

Sl.No	Section Details	Section dimension (in mm)	Reinforcement dimension (in mm)
1	Outer Frame	116X48	36X16
2	Sash	44X60	38X16
3	Bead	26X18	
4	Mesh	30X48	25X13



Hardware

All the hardware like rollers and handles should be screwed with self tapping screws. The handles and locks should be designed so that they cannot be released from outside.



Glazing

The window system should be glazed with 5 mm plain float glass.



Mesh

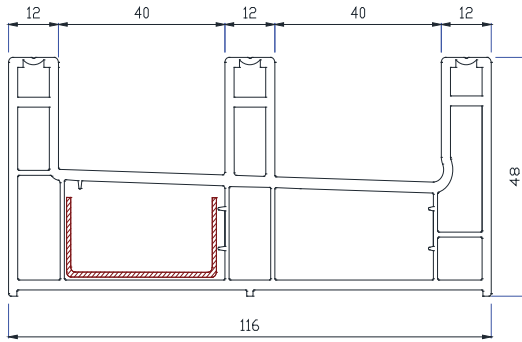
The window system should have SS / NYLON mesh.

Installation

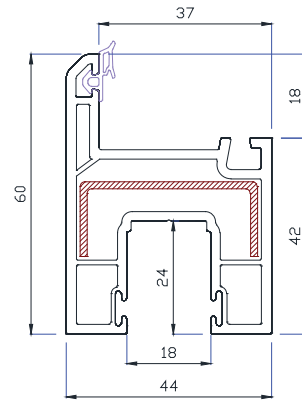
The profiles should be cut to length and welded 45 degrees. The window unit should be designed such that the water drainage does not pass through the reinforcement chamber. The window system should be fixed directly to the brick wall using self expanding nylon plug and driving MS electroplated screws into plug.

Company reserves the right to change the specifications from time to time and customers are requested to verify while placing the order

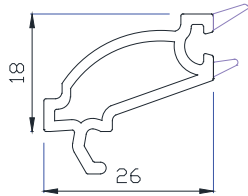
I-64 3 Track, Sliding Window



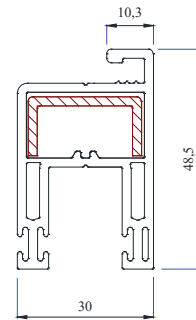
OUTER FRAME PROFILE (3 RAIL)



WINDOW SASH PROFILE



SINGLE GLAZING BEAD



SCREEN SASH

