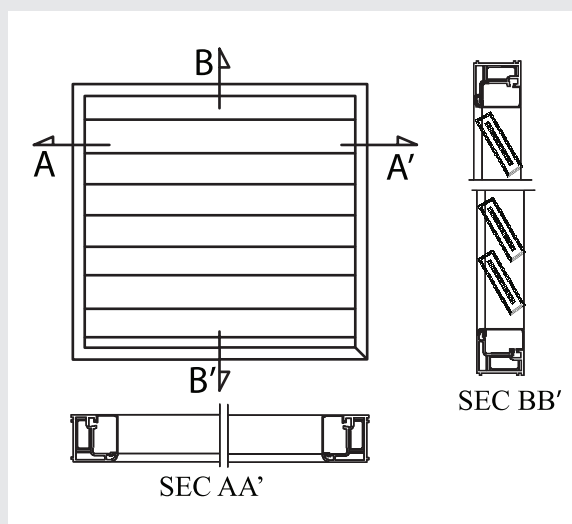


I-39 Series (Ventilator)



Providing and fixing ventilators fabricated from unplasticized polyvinyl chloride (uPVC) sections with brand name NCL Buildtek

Profiles

Sl.No	Section Details	Section dimension (in mm)	Reinforcement dimension (in mm)
1	Outer Frame	39X39	25X12X8X18
2	Louver Clip	32X18	
3	Louver Blade	40X8	



Hardware

All the hardware should be screwed with self tapping screws. The handles and locks should be designed so that they cannot be released from outside.



Glazing

The window system should be glazed with 4mm Pinhead plain glass.

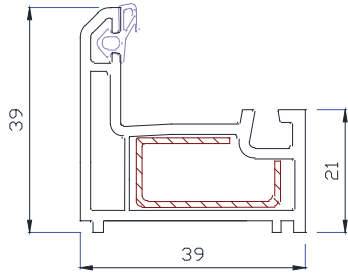


Installation

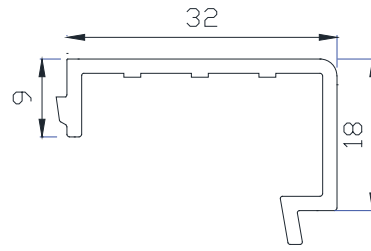
The profiles should be cut to length and welded 45 degrees. The window should be designed such that the water drainage does not pass through the reinforcement chamber. The window system should be fixed directly to the plastered brick wall using self expanding nylon plug and driving MS electroplated screws into plug.

Company reserves the right to change the specifications from time to time and customers are requested to verify while placing the order

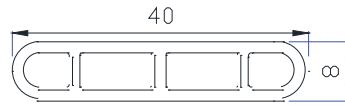
I-39 Series (Ventilator)



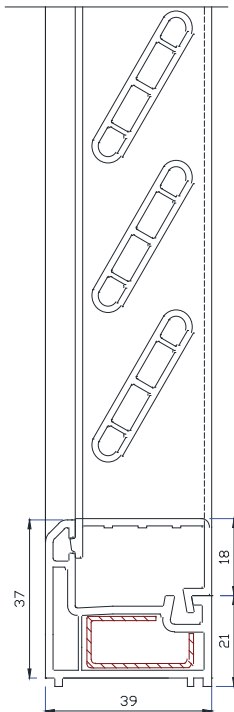
I-39 OUTER FRAME PROFILE



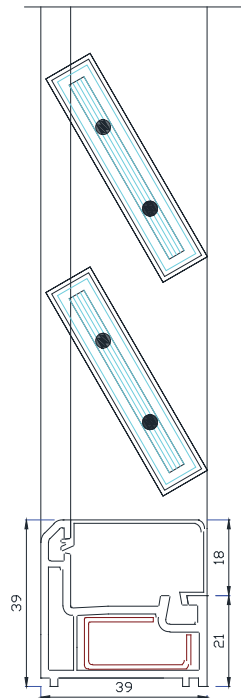
LOUVER CLIP (UPVC)



UPVC LOUVER BLADE



I-39 SERIES VENTILATOR
WITH UPVC LOUVER BLADES



I-39 SERIES VENTILATOR
WITH GLASS