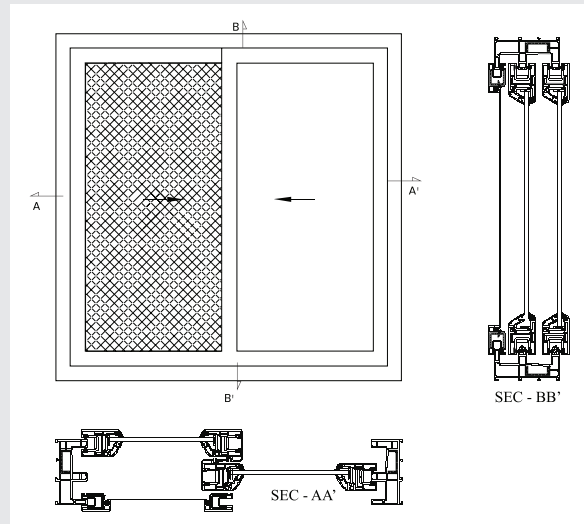


## I-60: 2+1 Track Sliding Window



Providing and fixing sliding windows, fabricated from Unplasticised Polyvinyl Chloride (uPVC) sections with brand name NCL Buildtek

### Profiles

Sl.No	Section Details	Section dimension (in mm)	Reinforcement dimension (in mm)
1	Outer Frame	94X45	32X13
2	Sash	39X58/39X65	29X10/33X20
3	Bead	20X18	
4	Mesh	25X42/25X58	20X20/20X25



### Hardware

All the hardware like rollers, handles should be screwed with self tapping screws. The handles and locks should be designed so that they cannot be released from outside.



### Glazing

The window system should be glazed with 5 mm plain float glass.



### Mesh

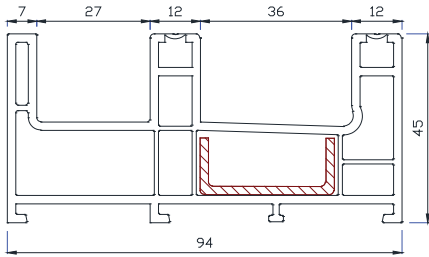
The window system should have SS / NYLON mesh.

### Installation

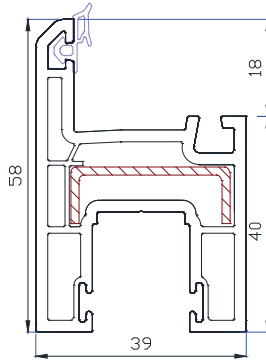
The profiles should be cut to length and welded 45 degrees. The window unit should be designed such that the water drainage does not pass through the reinforcement chamber. The window system should be fixed directly to the brick wall using self expanding nylon plug and driving MS electroplated screws into plug.

Company reserves the right to change the specifications from time to time and customers are requested to verify while placing the order

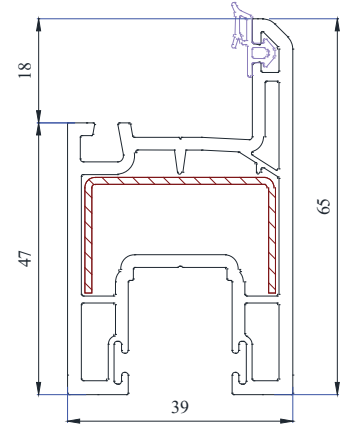
# I – 60 Series, 2+1 Track (sliding)



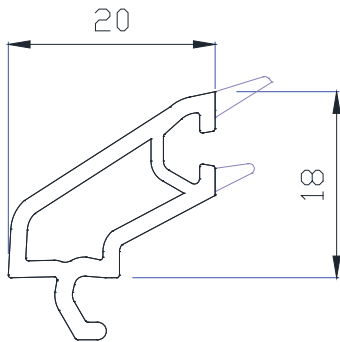
OUTER FRAME PROFILE (2 + 1 RAIL)



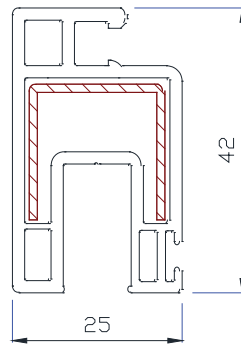
DOOR SASH PROFILE



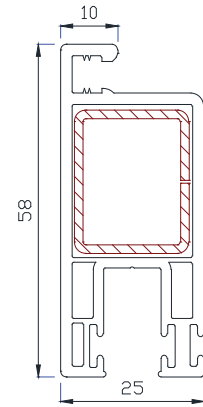
WINDOW SASH PROFILE (65mm)



SINGLE GLAZING BEAD



MESH SASH PROFILE



MEGA MESH SASH PROFILE

