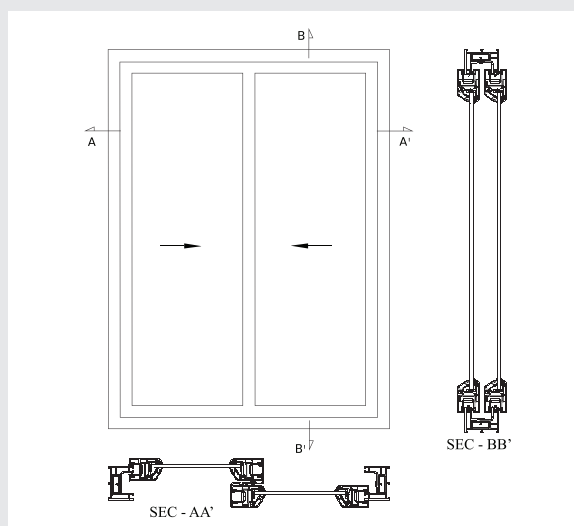


## I-60: 2 Track Sliding Window



Providing and fixing sliding windows, fabricated from Unplasticised Polyvinyl Chloride (uPVC) sections with brand name NCL Buildtek

### Profiles

Sl.No	Section Details	Section dimension (in mm)	Reinforcement dimension (in mm)
1	Outer Frame	60X45	32X13
2	Sash	39X58/39X65	29X10/33X20
3	Bead	20X18	



### Hardware

All the hardware like rollers, handles should be screwed with self tapping screws. The handles, locks should be designed so that they cannot be released from outside.



### Glazing

The window system should be glazed with 5 mm plain float glass.

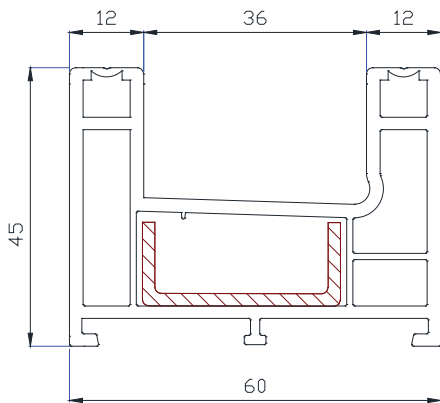


### Installation

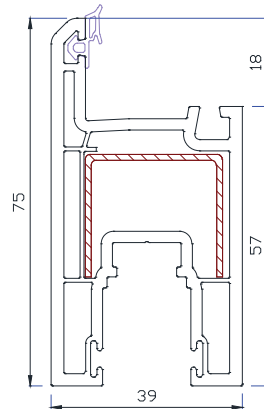
The profiles should be cut to length and welded 45 degrees. The window unit should be designed such that the water drainage does not pass through the reinforcement chamber. The window system should be fixed directly to the brick wall using self expanding nylon plug and driving MS electroplated screws into plug.

Company reserves the right to change the specifications from time to time and customers are requested to verify while placing the order

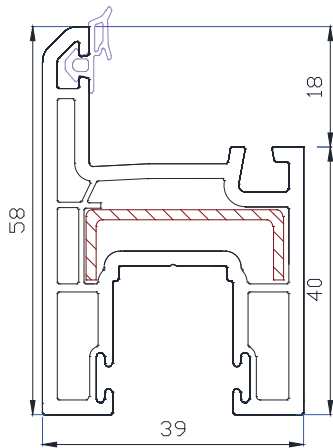
# I – 60 Series, 2 Track



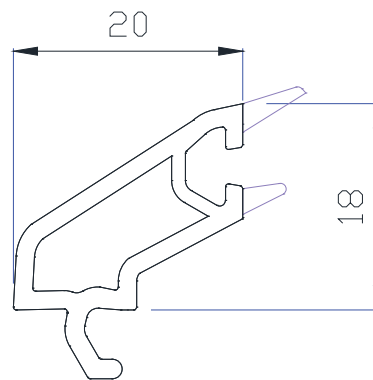
OUTER FRAME PROFILE (2 RAIL)



DOOR SASH PROFILE



WINDOW SASH PROFILE



SINGLE GLAZING BEAD

